

# Model **MG12-7R5-T** Magnets for Electromagnetic Sensor

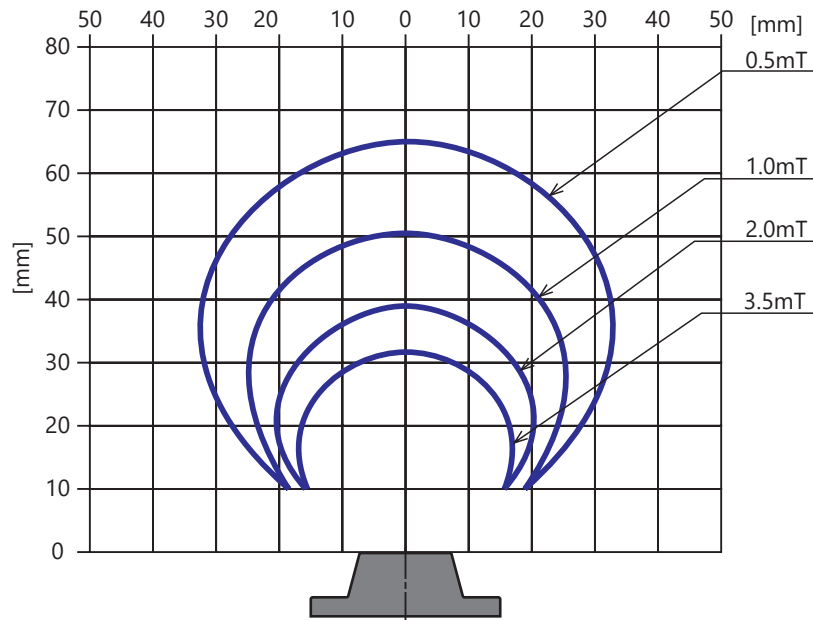


Model List	Polarity Direction
<b>MG12-7R5-TN</b>	Case detection surface N pole
<b>MG12-7R5-TS</b>	Case detection surface S pole

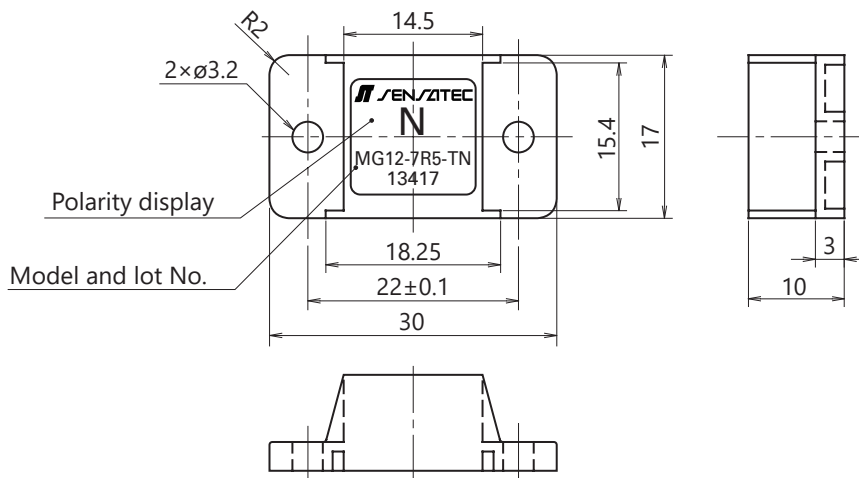
## Rating / Performance

Model	MG12-7R5-TN	MG12-7R5-TS
Magnet	Neodymium	
Polarity Direction	Case detection surface N-pole	Case detection surface S-pole
Magnet Characteristics	Residual magnetic flux density (Br) 1260 to 1320 mT, Holding force (bHC) 859 kA/m or more	
Temperature Range	-25 to 70 °C (Without dew condensation or freezing)	
Case Material	PTB reinforced with glass-fiber (Black)	
Ingress Protection	IP67	

## Contour Diagram (Typical Example)



## Dimensions



## Precautions During Use

1. Do not place the neodymium magnet close to the ferrite magnet. Magnetic field lines change due to magnetization and demagnetization.
2. The magnet is chipped or broken due to the shock of the attraction force. Please do not give a shock when handling.
3. Please do not approach magnetic recording medium (floppy etc.).
4. Keep away from electronic medical equipment. It may cause malfunction.