



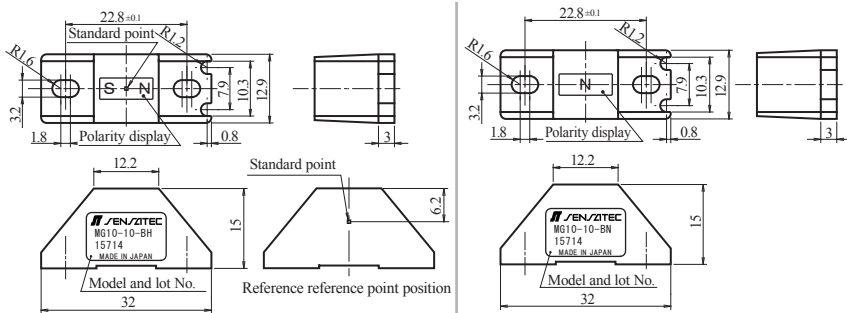
Model list

Model	Polarity direction
MG10-10-BHT	N pole and S pole
MG10-10-BNT	N pole

Rating/Performance

Model	MG10-10-BHT	MG10-10-BNT
Magnet	Neodymium	
Polarity Distance	N-pole and S-pole (Top Case)	N-pole (Top Case)
Magnet Characteristics	Residual magnetic flux density (Br) 1180 to 1340 mT / Holding force (bHC) 859 kA/m or more	
Temperature Range	-10 to 60 °C	
Ingress Protection	IP67	
Case Material	PTB reinforced with glass-fiber(Black)	

Dimensions



Characteristics graph (typical example)

