



□Model list

Round type	IPS-25A
Elliptical type	IPS-44A

**Application**

- Shock monitoring on game machines

**Characteristics**

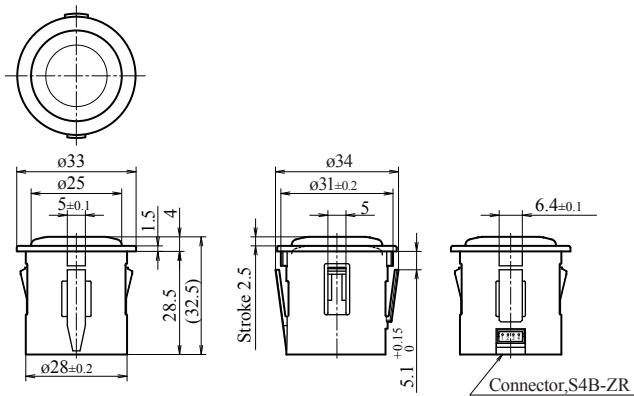
- User-friendly with its large button easy to press.
- Can be connected in one touch using the connector.
- Does not use any contact point to prevent poor contact problems and increase the lifespan.

**Rating and performance**

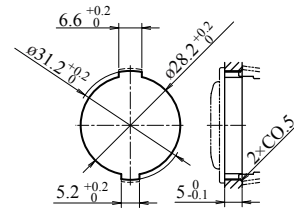
Model name	IPS-25A	IPS-44A
Power supply voltage	5 V DC (Operating voltage range: 4.75 V to 5.25 V DC)	
Power consumption	DC 50 mA or less	
High-level output voltage	DC 4.5 V or more	
Low-level output voltage	DC 0.5 V or less	
Output voltage	DC 50 mA	
Stroke	approx. 2.5 mm	
Output switching stroke	approx. 1.3mm	
Operability	approx. 0.98N ±0.49N (100gf ±50gf)	
Lifespan	10 million rotations or more (no load)	
Operating temperature range	0 to 50 °C (-20 to 60 °C during storage) (no condensation)	
Operating humidity range	35 to 85% RH (35 to 85% RH during storage) (no condensation)	
Case material	ABS	
Connector	Connector: S4B-ZR (4-pin), housing: ZHR-4, contact: SZH-002T-P0.5 (from J.S.T. Mfg. Co., Ltd.)	
Weight	Approx.13.6 g	Approx.18.9 g

## External dimensions diagram

### IPS-22A

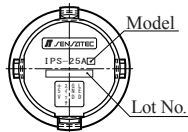


Reference: Panel installation dimensions

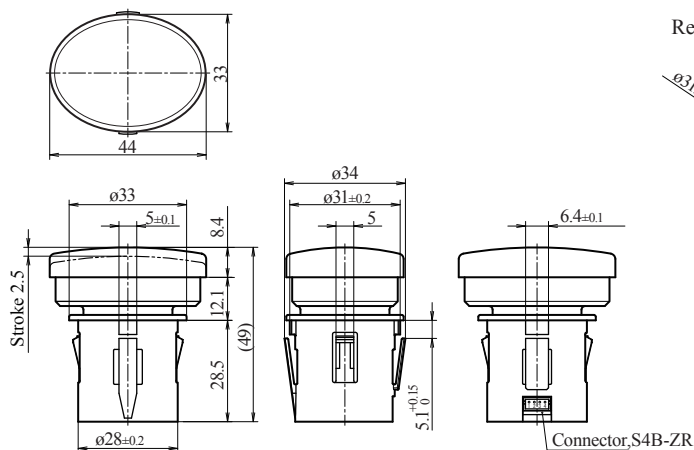


Pin number	Signal name
1	LED
2	GND
3	Switch
4	+5V

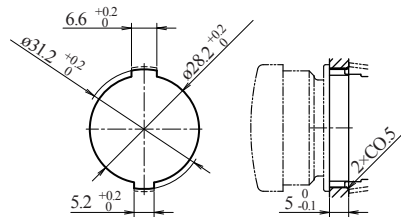
Bottom surface diagram



### IPS-44A



Reference: Panel installation dimensions



Pin number	Signal name
1	LED
2	GND
3	Switch
4	+5V

Bottom surface diagram

